

# BELLEBANNE®

## R-Type Secondary Belt Cleaner

### ●BELT WIDTH

Belle Banne R-Type belt cleaner is suitable for all belt widths from 450mm-2200mm

### ●REVERSING CONVEYOR

The Belle Banne R-Type belt cleaner has been purposely designed for use on reversing conveyors. Install one at either end for maximum performance, or just one at the primary discharge end.

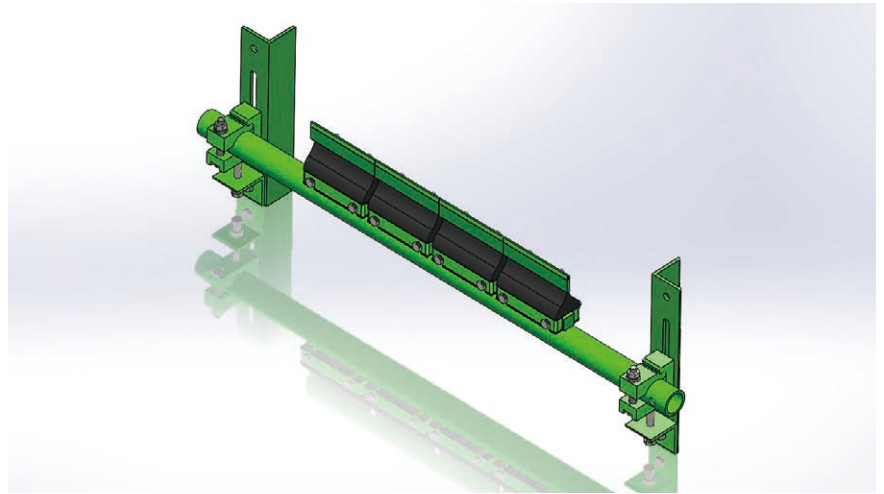
### ●HEAVY DUTY CONSTRUCTION

Belle Banne cleaner poles are the strongest around. All poles are schedule 80 material, ensuring they are fit for tough mining applications.

### ●STAINLESS STEEL

Belle Banne cleaners are available in either powder coated mild steel, or 304 stainless steel grade available on request.

.....



The Belle Banne R-Type secondary belt cleaner has been a successful secondary cleaner for over 30 years. Teamed with Belle Banne primary cleaner, or by itself, it has proved effective in maintaining a clean conveyor belt across diverse applications.

Ideally positioned just back from the head Pulley, the Belle Banne R-Type cleaner is compact enough to fit in most chute Applications and sits close enough to the pulley to ensure the material fines are Directed back into the regular material flow. Available in all sizes to suit your belt width, and in a range of materials to optimize life and performance, the Belle Banne R-type belt cleaner is a smart choice if you want to eliminate carryback from your conveyor system.

### FEATURES

#### ■SEGMENTED BLADE

The R-Type belt cleaner consists of individual 150mm segmented blades, each one mounted to a rubber cushion.

Separate blades ensure constant blade to belt contact on uneven surface, guaranteeing maximum cleaning performance.

#### ■LONG LASTING TUNGSTEN

Belle Banne has long been the leader in its class when it comes to tungsten. Our tungsten has a proven track record for consistent wear and long blade life. No other tungsten blade comes close.

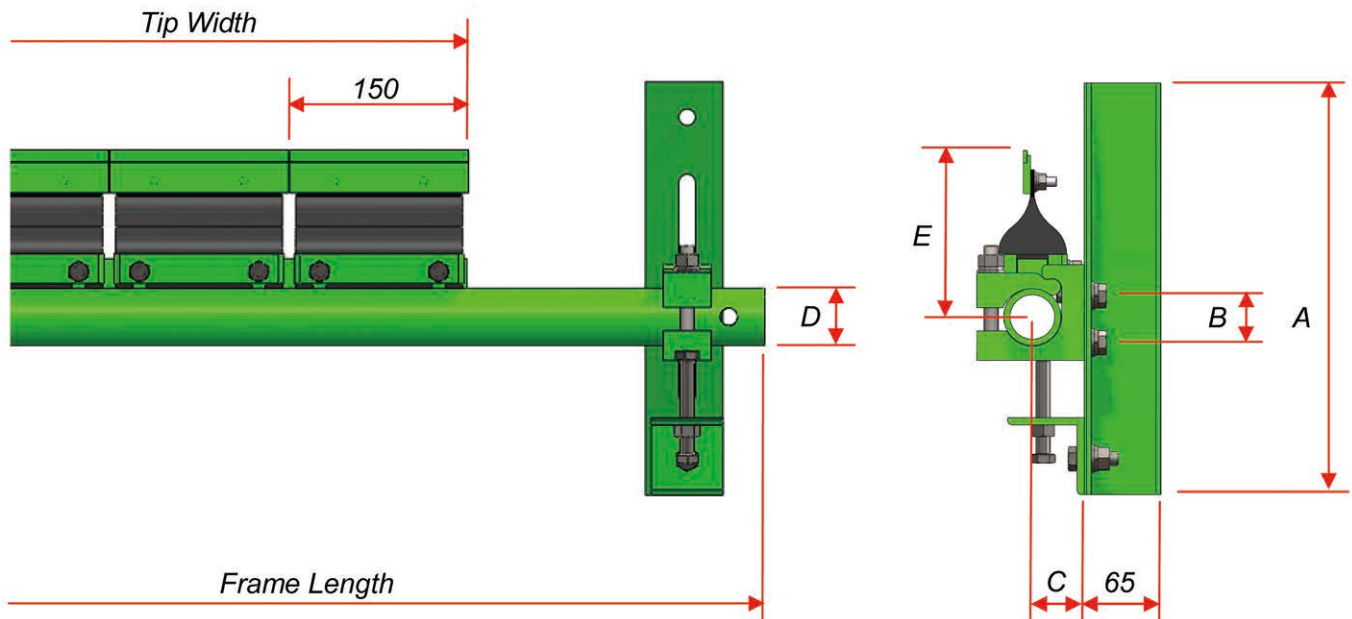
#### ■SYMMETRICAL CUSHION

The R-Types symmetrical cushion design ensures the R-Type tips meet the belt at 90 degree to maximize cleaning performance regardless of the direction of travel of your conveyor. Optimally positioned off the head pulley, the Belle Banne R-Type cleaner is a compact design allowing cleaned fines to return to the material flow.



Developing tomorrow for tomorrow's living.  
**NIPPON TSUSHO CO.,LTD.**

# R-Type Secondary Belt Cleaner



Belt (mm)	Tip (mm)	Frame Length (mm)	Frame Dia. D (mm)	A	B	C	E	Weight (kg)
450	450	950	φ 48.6	350	40	46	142	19.6
500	450	1000	φ 48.6	350	40	46	142	19.9
600	600	1100	φ 48.6	350	40	46	142	22.2
750	750	1250	φ 48.6	350	40	46	142	24.9
900	900	1400	φ 48.6	350	40	46	142	27.5
1000	900	1500	φ 48.6	350	40	46	142	28.1
1050	1050	1600	φ 48.6	350	40	46	142	30.5
1200	1200	1800	φ 60.5	350	50	52	148	37.9
1400	1350	2000	φ 60.5	350	50	52	148	41.2
1500	1500	2200	φ 60.5	350	50	52	148	44.6
1600	1500	2300	φ 60.5	350	50	52	148	45.3
1800	1800	2500	φ 76.3	400	55	65	156	65.5
2000	1950	2700	φ 76.3	400	55	65	156	69.7
2200	2100	3000	φ 76.3	400	55	65	156	75.1

