

# BELLEBANNE®

## U-Type Secondary Belt Cleaner

### ●BELT WIDTH

Belle Banne U-Type belt cleaner is suitable for all belt widths from 450mm-2200mm

### ●SINGLE DIRECTION

The Belle Banne U-Type belt cleaner is suitable for single direction belt only.

For reversing conveyor belts, we recommend using the Belle Banne R-Type secondary cleaner.

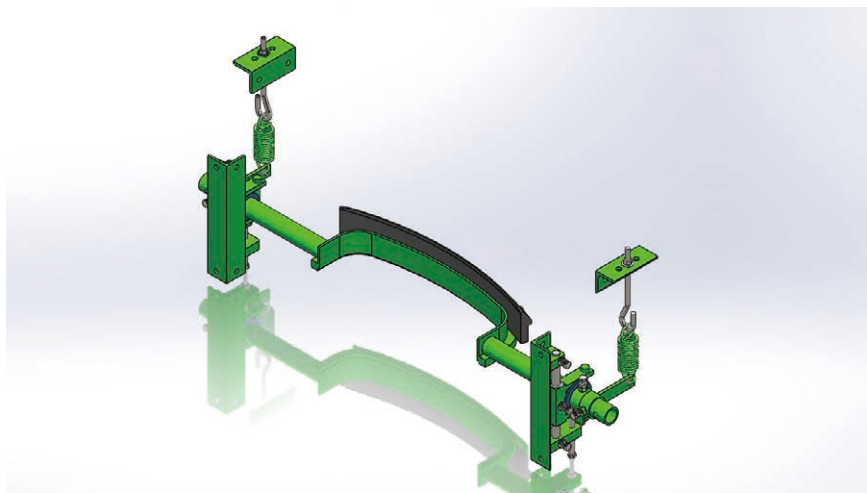
### ●HEAVY DUTY CONSTRUCTION

Belle Banne cleaner poles are the strongest around. All poles are schedule 80 material, ensuring they are fit for tough mining applications.

### ●STAINLESS STEEL

Belle Banne cleaners are available in either powder coated mild steel, or 304 stainless steel grade available on request.

.....



The original Belle Banne U-Type belt cleaner is unmatched for superior cleaning efficiency – especially in tough applications requiring the removal of wet and sticky material.

The patented U shaped blade conforms to scrape stubborn materials off the belt while the rubber backing squeegees wet materials.

The dual spring tension system materials low, uniform blade pressure across the belt entire belt width. The U shaped blade and offset pole intensify cleaning power in the material carrying center of the belt.

The U-Type is unbeatable as the final cleaner in a complete cleaning system. Teamed with a Belle Banne primary cleaner, the Belle Banne U-Type delivers results that are unmatched for cleaning performance and efficiency.

### FEATURES

#### ■UNIQUE U SHAPE

The Belle Banne U-Type is “Unique” in its shape. The U shaped blade maintains maximum pressure in the center of the belt where the majority of the material builds up.

#### ■EASY BLADE REPLACEMENT

The Cartridge blade means that blade removal and replacement can be achieved in just minutes.

#### ■SIMPLE TENSION CHECK

The spring adjustment system makes for a quick visual check to ensure the Belle Banne U-Type is suitably tensioned. Look for a 1 - 2 mm gap in the spring coils.

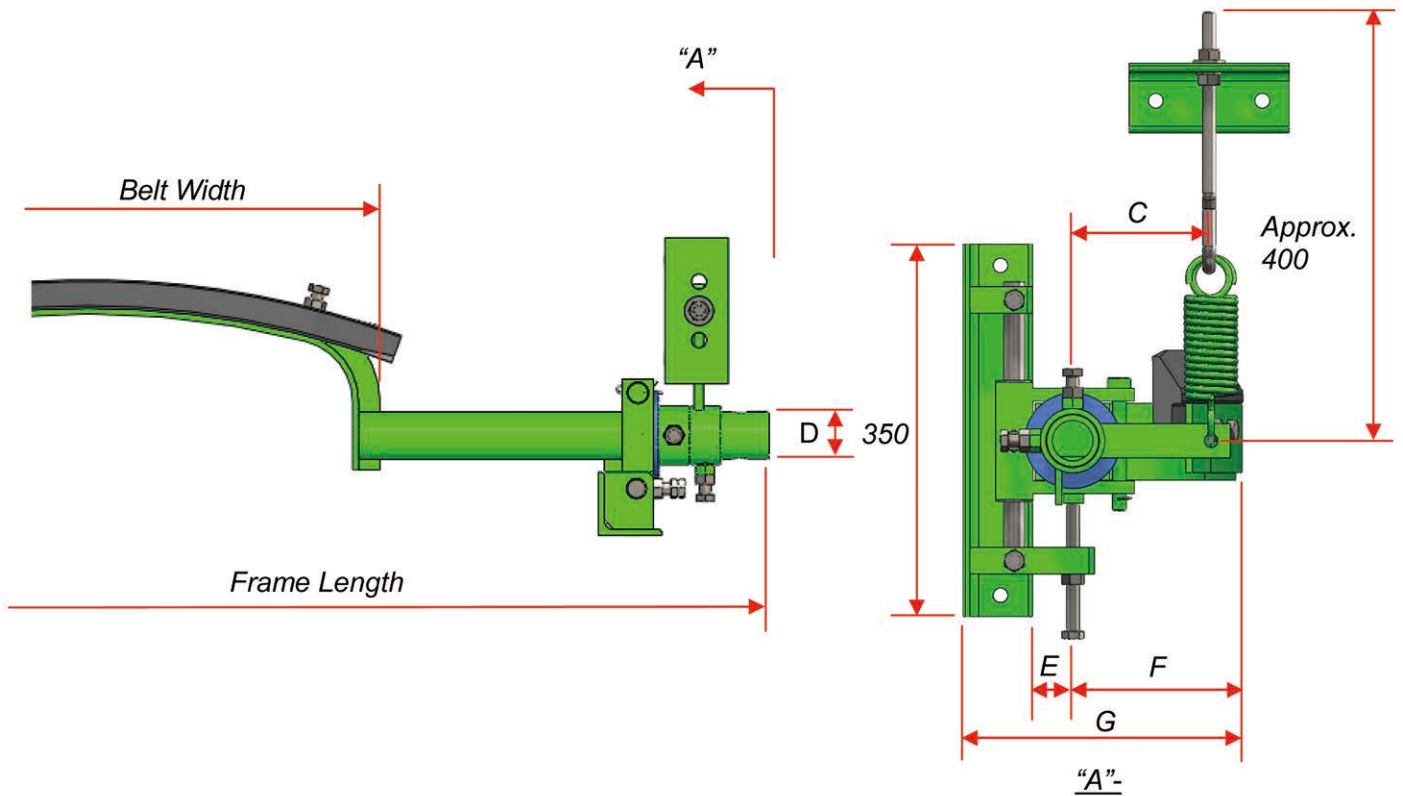
#### ■BLADE STOP

The cleverly designed blade stop ensure that when the blade has been fully exhausted that the cleaner stops travelling and prevents unnecessary belt or cleaner wear.



Developing tomorrow for tomorrow's living.  
**NIPPON TSUSHO CO.,LTD.**

# U-Type Secondary Belt Cleaner



Belt (mm)	Frame Length (mm)	Frame Dia. D (mm)	C	E	F	G	Weight (kg)
450	1250	φ48.6	130	38	144	247	33.9
500	1300	φ48.6	130	38	144	247	34.7
600	1400	φ48.6	130	38	159	262	36.3
750	1550	φ48.6	130	38	184	287	38.7
900	1700	φ48.6	130	38	190	293	44.0
1000	1800	φ48.6	130	38	215	318	46.0
1050	1850	φ48.6	130	38	215	318	46.9
1200	2100	φ60.5	160	38	240	343	52.4
1400	2300	φ60.5	160	38	240	343	57.4
1500	2400	φ60.5	160	38	240	343	58.8
1600	2500	φ60.5	160	38	246	349	64.9
1800	2700	φ76.3	160	46	246	357	76.8
2000	3100	φ76.3	160	46	246	357	83.2
2200	3300	φ76.3	160	46	246	357	87.5

